

Environmental Air Filters

Reservoir Equipment



When it comes to 'green' breathing

Ecology and Economy

EAB Series and ABL Series environmental air filters provide hydraulic system designers, OEM's and end users eco-friendly advantages for a wide range of mobile applications such as forestry equipment and industrial uses such as industrial power units.



Contact Information:

Parker Hannifin
Hydraulic Filter Division Europe

**European Product
Information Centre**
Freephone: 00800 27 27 5374
(from AT, BE, CH, CZ, DE, EE, ES,
FI, FR, IE, IT, PT, SE, SK, UK)
filtrationinfo@parker.com

www.parkerhfde.com

Product Features:

- EAB Series – air flows up to 1500 l/min. Visual gauge option.
- ABL Series – 3 micron Abs. LEIF[®] element. 2 sizes.
- 2 environmental breather options suitable for most applications.

EAB Series

Reservoir Equipment

Typical Applications



- Agricultural machines
- Articulated dump trucks
- Forestry equipment
- Wheeled loaders
- Lubricating systems
- Excavators
- Mobile cranes
- Industrial power units

Technical Data

The filter has been designed to achieve a low pressure drop and high dirt holding capacity with airflows up to 1500 l/min. A compact EAB10 with airflows up to 1000 l/min is also available.

Construction:

Glass reinforced composite housing with Eco-element.

Filter media options:

P020: High quality polyester media. 2µm (abs).

C015: Polyester media with water-resistant layer. 1.5µm (abs)

Q010: Glass fibre media. 1.0µm (abs)

Mounting options:

With 6 screws. Includes machine and plate screws, a strainer and gaskets.

External threads G^{3/4}" , G1".

Internal thread G^{3/4}".

Options:

Visual gauge type vacuum/pressure indicator.

Overpressure valve, pressure setting 0.2 bar.

EAB10 cannot be specified with an overpressure valve and vacuum/pressure gauge at the same time.

Advantages of the EAB filters:

Easy maintenance.

Indicator states the need for element change.

Quick and easy element change (no tools required).

Environmentally friendly:

EAB elements contains no metal parts: therefore it can be crushed and burned minimising the volume of waste material.

Other features:

The optional indicator is located in a safe place inside the housing.

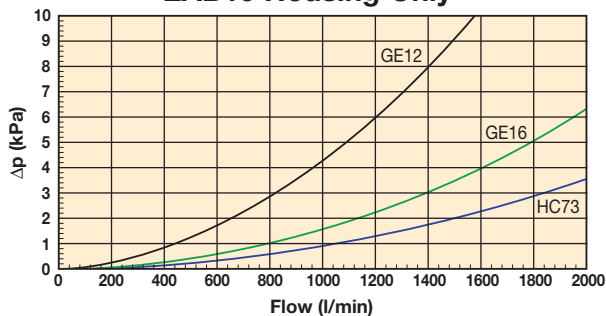
Housing includes mounting holes for a padlock, which allows you to increase the security against theft and vandalism.

Suitable for temperatures -20°C to +80°C.

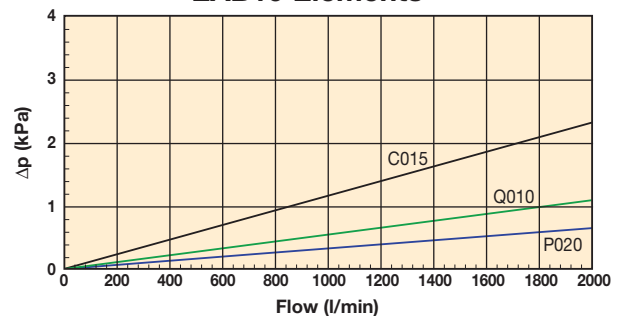
Pressure Drop Curves

$\Delta p_{total} = \Delta p_{housing} + \Delta p_{element}$. The recommended level of the initial pressure drop for this filter is max 0.02 bar (2.0 kPa).

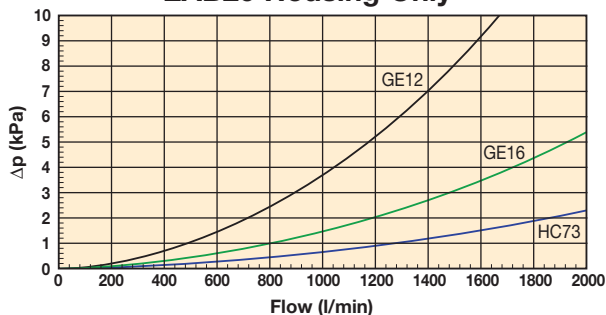
EAB10 Housing Only



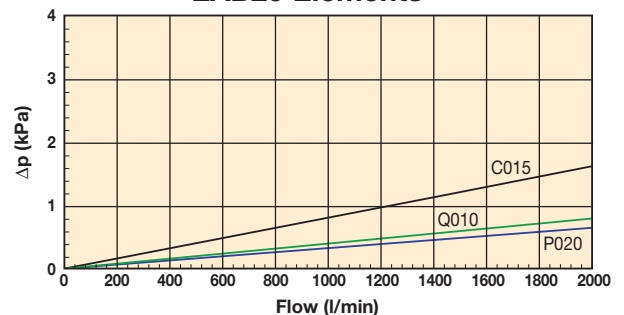
EAB10 Elements



EAB20 Housing Only

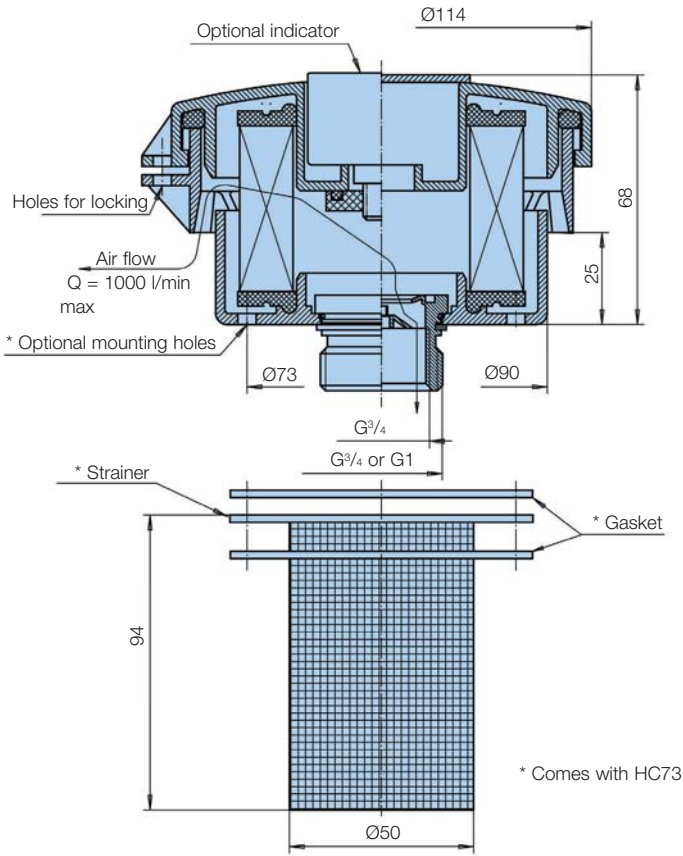


EAB20 Elements

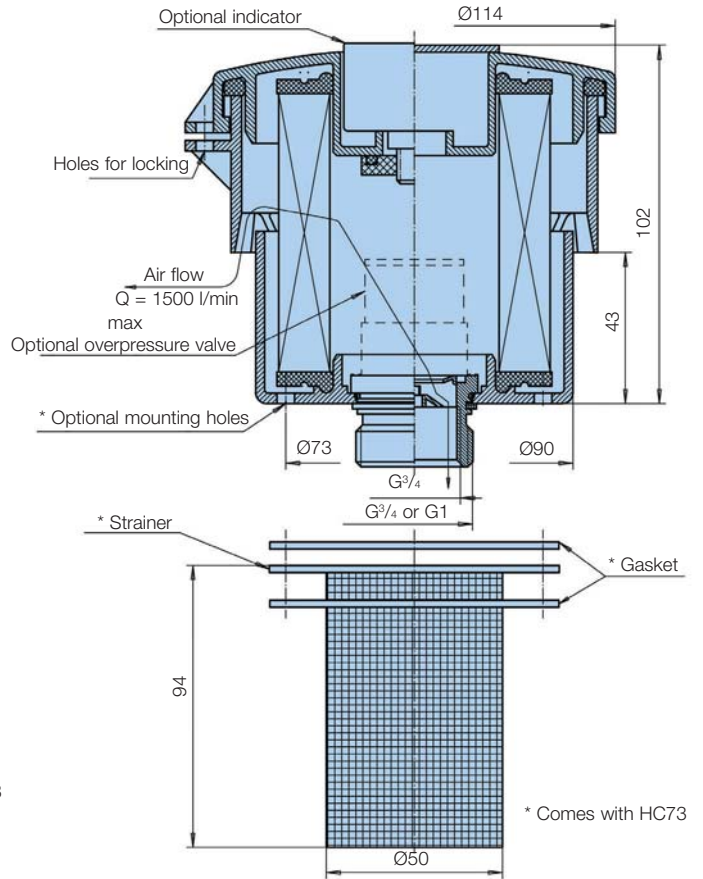


Specification

EAB10

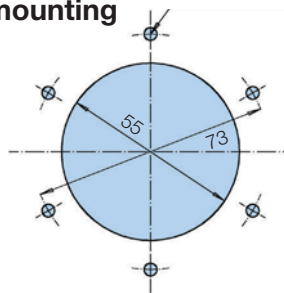


EAB20



NOTICE!
Air filters are an essential part of the system and the element needs to be replaced regularly.

6 hole fixing mounting dimensions



Mounting	Code
6 mounting holes	HC73
G1 external	GE16
G ^{3/4} external	GE12
G ^{3/4} internal	GS12

Note: Optional indicator scale -0.35/-0.2 to +0.2/+0.35 bar.
Note: Optional mounting holes act as drain holes (except the HC73) in combination with a CO15 element.

EAB Series

Reservoir Equipment

Ordering Information

Standard products table

Part number	Supersedes	Model	Media	Mounting	Overpressure valve	Indicator	Replacement elements
EAB20P020HC73V2	EAB20P020HC73-V2	EAB20	P020	HC73	V2		EAC20P020
EAB10P020HC73	N/A	EAB10	P020	HC73			EAC10P020
EAB20P020HC73	N/A	EAB20	P020	HC73			EAC20P020
EAB20P020GE16	N/A	EAB20	P020	GE16			EAC20P020
EAB20P020HC73A	EAB20P020HC73-A	EAB20	P020	HC73		A	EAC20P020

Product configurator

Product number	Media options		Mounting options		Overpressure valve options		Indicator options	
EAB20	P020	2µ abs polyester	HC73	6 hole fixing		No overpressure valve		No indicator
EAB10	C015	1.5µ abs water resistant	GE12	G ³ / ₄ external thread	V2	0.2 bar	A	Vacuum/pressure gauge
	Q010	1.0µ abs glass fibre	GE16	G1 external thread G ⁷ / ₈ internal				
			GS12	thread M33 x 2 external				
			ME33	thread				

Replacement elements

Product number	Media options	
EAC20	P020	2µ abs polyester
EAC10	C015	1.5µ abs water resistant
	Q010	1.0µ abs glass fibre

Note 1: Part numbers featured with bold highlighted codes will ensure a 'standard' product selection.

Note 2: For alternative part number options, consult Parker Filtration.

ABL Series

Reservoir Equipment

Typical Applications



The Parker Filtration ABL-1 and ABL-2 Series Air Filters.

- Saw mills
- Agricultural machines
- Articulated dump trucks
- Forestry equipment
- Wheeled loaders
- Lubricating systems
- Excavators
- Industrial power units
- Mobile cranes

Technical Data

Assembly:

Tank top mounted.

Connections:

Threads G1¹/₄ (ISO 228), 1¹/₂" (UN-16-2B).

Seal material:

Seals integrated in LEIF[®] element.

Operating temperature range:

-20° to +80°C.

Filtration media:

3 micron abs (Beta value= $\beta_{75} \geq 3$ in air).

Flow fatigue characteristics:

Filter media is supported so that the optimal fatigue life is achieved.

Vacuum indicator:

ABL-1 on request only, ABL-2 0.04 bar. Visual with latch out memory.

Breather housing:

High impact strength composite.

Filter element:

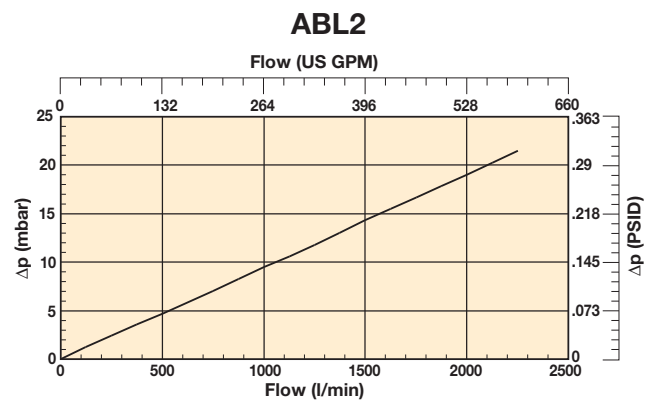
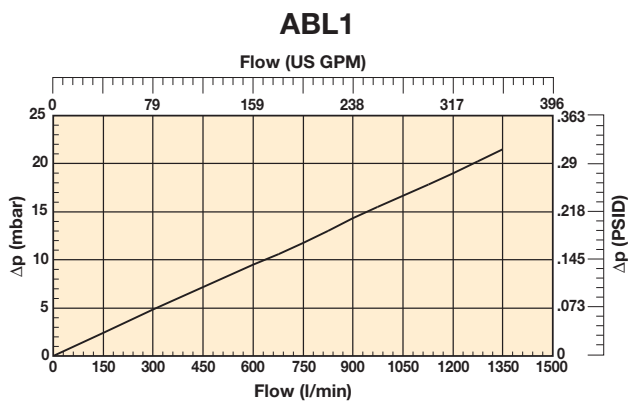
LEIF[®] element.

Options:

- Adaptor with filter connection.
- Single adaptor.
- Breather with integrated pressure relieve valve for pressurised tank on request only.

LEIF[®] elements can be used for hydraulic fluids and HEES type fluids only. For other fluids contact Parker Filtration.

Pressure Drop Curves

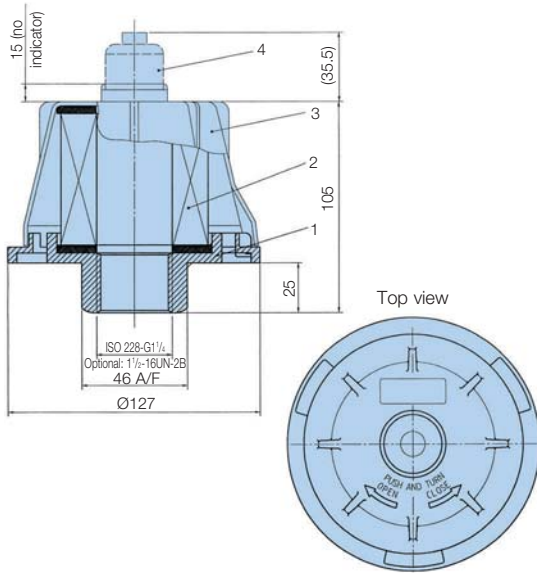


ABL Series

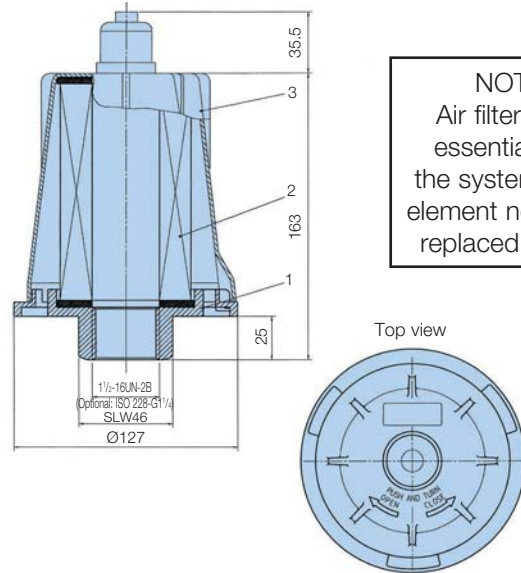
Reservoir Equipment

Specification

ABL-1



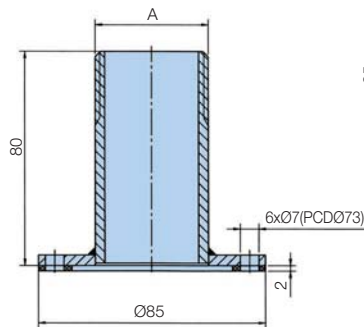
ABL-2



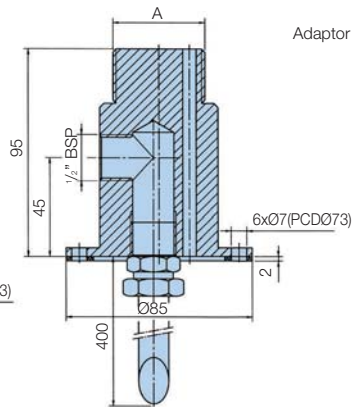
NOTICE!
Air filters are an essential part of the system and the element needs to be replaced regularly.

Extensions and filling mounting adaptors

Adaptor single



Adaptor with filler connection



Ordering Information

Standard products table

Part number	Supersedes	Replacement elements
ABL1G114QXWL3	ABL1-G1 ¹ / ₄ -QXWL-3	QXWL3
ABL2G114QXWL13V	ABL2-G1 ¹ / ₄ -QXWL-1-3-V	QXWL13
ABL2U112QXWL13V	ABL2-U1 ¹ / ₂ -QXWL-1-3-V	QXWL13
ADAPTORABL14FP	ADAPTOR-ABL-G1 ¹ / ₄ -FP	-

Product configurator – Air Beather

Product number		Mounting options		Filtration (3µm)		Indicators		Options	
ABL1	1000 l/min	G114	ISO 228 - G1 ¹ / ₄ (BSP)	QXWL3	ABL1 Only		None		None
ABL2	2000 l/min	U112	1 ¹ / ₂ UN-16-2B	QXWL13	ABL2 Only	V	Visual	SNG	Single adaptor
								FP	Adaptor With Filler Connection

Product configurator – Adaptor

Product number	Mounting options		Options	
Adaptor ABL	G114	ISO 228 - G1 ¹ / ₄ (BSP)	SNG	Single Adaptor
	U112	1 ¹ / ₂ UN-16-2B	FP	Adaptor With Filler Connection

Replacement elements

Part number	Supersedes	Description
QXWL3	QXWL-3	3µ
QXWL13	QXWL1-3	3µ

Note 1: Part numbers featured with bold highlighted codes will ensure a 'standard' product selection.

Note 2: Alternate displayed part number selection will require you to contact Parker Filtration for availability.