

# DF2145

Duplex Filters

Max. 80 l/min. 30 bar



## Duplex safety for fuel, lube and hydraulic systems

Duplex operation for security and continuous flow. Several filtration media options include environmentally friendly Ecoglass III elements and allows wide selection of applications. Integrated differential pressure switch connection with shut off valve. Sturdy cast iron housing with pressure rating up to 30 bar. Block mounting available.



## Contact Information: Applications:

Parker Hannifin  
**Hydraulic Filter Division Europe**

**European Product  
Information Centre**  
Freephone: 00800 27 27 5374  
(from AT, BE, CH, CZ, DE, EE, ES,  
FI, FR, IE, IT, PT, SE, SK, UK)  
filtrationinfo@parker.com

www.parkerhfde.com

- Diesel engine fuel systems
- Industrial lube oil systems
- Industrial medium pressure hydraulic systems

## Specification

### Duplex filter:

Change-over valve with open center position. Handle locking device for both end positions. Vent valves with secured outlets on both sides. Integrated indicator port with test connections.

### Maximum operating pressure:

30 bar

### Connections:

Two sets of threads G<sup>3</sup>/<sub>4</sub> or M26 x 1.5. Connections on flange are plugged with steel plug.

### Seal material:

Fluoroelastomer

### Operating temperature:

-20°C...+120°C with Fluoroelastomer seals,  
-20°C...+160°C with metal mesh elements and Fluoroelastomer seals.

### Housing material:

Cast iron (GJS)

### Weight:

15 kg

### Nominal flow rate (30 cSt):

80 l/min (4,8 m<sup>3</sup>/h)

### Bypass valve:

Standard without bypass, optional opening pressure 3.5 bar

### Filtration materials:

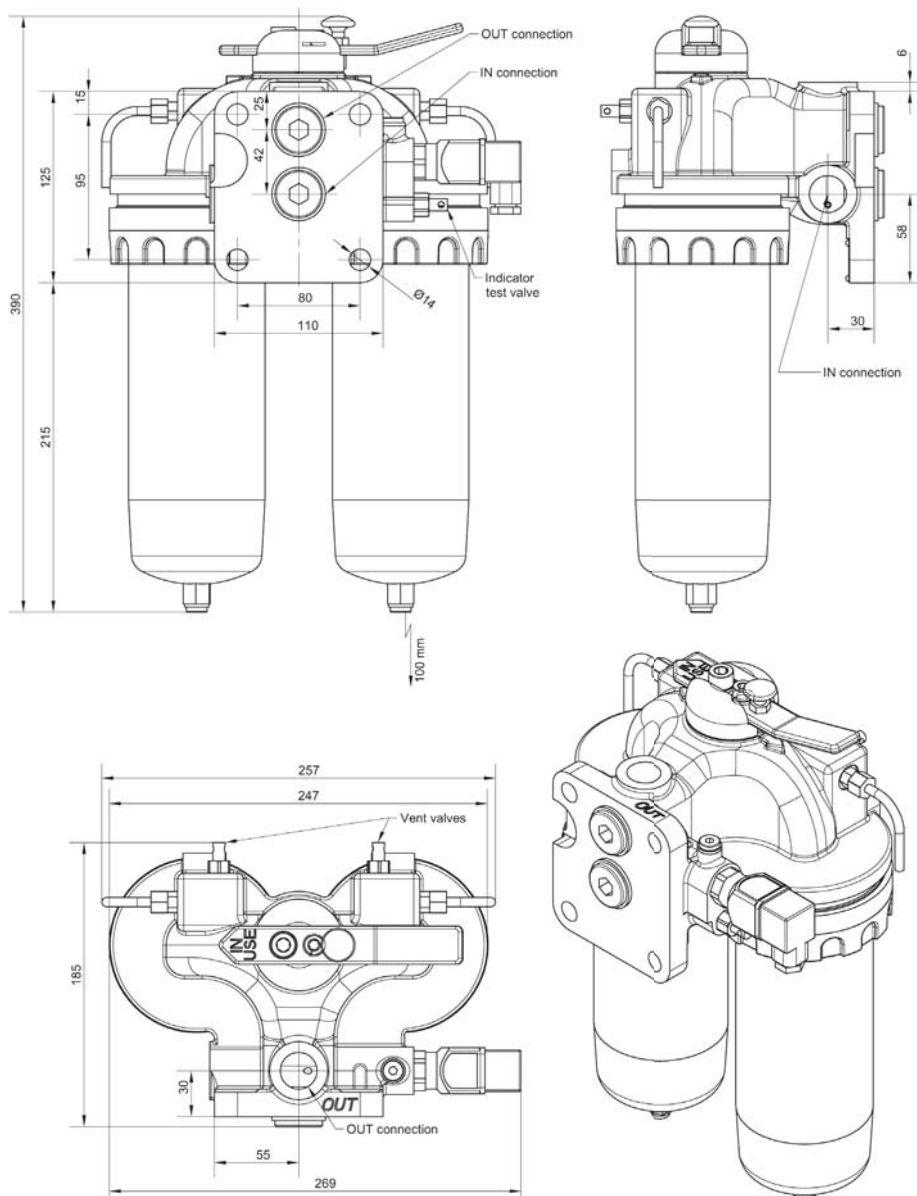
- Glassfibre Microglass III
- Environmentally friendly Ecoglass III. No metal parts. Ecoglass III contributes to ISO14001.
- Cleanable metall mesh
- Resin impregnated fine cellulose paper 10 µm nominal

### Differential pressure indicators:

Integrated indicator port. Filter can be equipped with visual, electrical or electronic differential pressure indicator. Setting 2.5 bar, other settings available. For details see indicator options table on product description page and catalogue section 4.

### Fluid compatibility:

Suitable for use with regular hydraulic and lubrication oils & light fuel oils (diesel). For heavy fuel oil applications, please specify option P2 (see table 8 in product description) which ensures that filters are delivered with documentation according PED 97/23/EC category II. For other fluids consult Parker Filtration.



# DF2145

## Pressure Drop Curves

$$\Delta p_{\text{total}} = \Delta p_{\text{housing}} + \Delta p_{\text{element}}$$

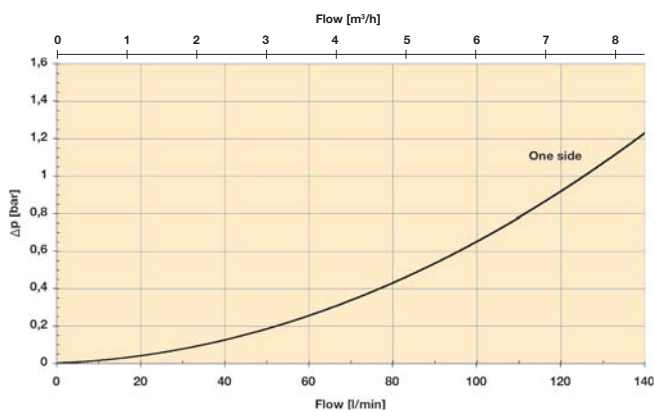
The recommended level of the initial pressure drop for this filter is maximum 0.5 bar.

$\Delta p$ -curves are measured at 30 cSt.

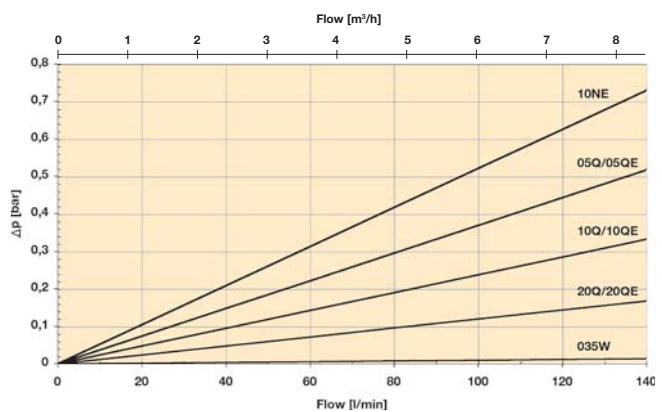
If the medium used has a viscosity different from 30 cSt, pressure drop over the element can be estimated as follows:

$$\Delta p_{\text{total}} = \Delta p_{\text{housing}} + \Delta p_{\text{element}} \times \frac{\text{working viscosity}}{30 \text{ cSt}}$$

DF2145 housing



DF2145 length 2 elements



### REPLACEMENT ELEMENTS WITH FLUOROELASTOMER SEALS

Media code	Order code	
<b>Glassfibre</b>	<b>Microglass III</b>	<b>Ecoglass III</b>
05Q/05QE	939011Q	939014Q
10Q/10QE	939012Q	939015Q
20Q/20QE	939013Q	939016Q
<b>Cellulose (Eco)</b>		
NE10	939017	
<b>Cleanable metal mesh</b>		
035W	939018	
060W	939019	

## Product Description for DF2145

### Complete Filter:

Table 1

--

Table 2

--

Table 3

--

Table 4

--

Table 5

--

Table 6

--

Table 7

--

Table 8

--

Table 1

FILTER TYPE	
Model	CODE
Duplex filter	<b>DF2145</b>

Table 2

FILTER SIZE	
Element length	CODE
Length 2	<b>2</b>

Table 3

DEGREE OF FILTRATION	
Element type	CODE
<b>Microglass III</b>	
Glassfibre 5 µm	05Q
Glassfibre 10 µm	<b>10Q</b>
Glassfibre 20 µm	<b>20Q</b>
<b>Ecoglass III</b>	
Glassfibre 5 µm	05QE
Glassfibre 10 µm	<b>10QE</b>
Glassfibre 20 µm	<b>20QE</b>
<b>Other medias</b>	
Cellulose 10 µm (nom) ECO	10NE
Cleanable metal mesh 35 µm	035W
Cleanable metal mesh 60 µm	060W

Table 4

SEAL TYPE	
Seal material	CODE
Fluoroelastomer	<b>V</b>

Table 5

INDICATORS	
Options	CODE
Indicator port plugged	<b>P</b>
Visual indicator	<b>M3</b>
Electrical indicator	<b>T1</b>
Electronic indicator (PNP/N.O.)	F1
Electronic indicator (NPN/N.O.)	F2

Table 6

BYPASS VALVE	
Bypass/indicator setting	CODE
3.5 bar/2.5 bar	<b>K</b>
No/No	<b>X</b>

Table 7

FILTER CONNECTIONS	
Port size	CODE
G $\frac{3}{4}$	<b>G12</b>
M26x1.5	M26

Table 8

OPTIONS	
Options	CODE
With bypass	<b>1</b>
No bypass	<b>2</b>
PED category 2	P2

If several options are selected, please add the codes in order listed above.

SPARE PARTS	
Seal kits (fluoroelastomer)	CODE
Complete seal kit (includes also valve spool seals)	916045088
Service seal kit (includes seals for bowl, drain and Eco-adapter)	916045093
<b>ECO adapter</b>	
For Ecoglass III and 10NE elements	911042096

Please note the bolded options reflect standard options with reduced lead-time.