

DF2089

Duplex Filters

Max. 350 l/min. 40 bar



Heavy duty duplex operation

Cast iron housing with pressure rating up to 40 bar features in-to out flow to keep the particles away even during the filter change. Differential pressure switch mounted on the filter for easy access. Several media options allow lube, fuel and hydraulic use – pre-filtration with magnets as option.



Contact Information:

Parker Hannifin
Hydraulic Filter Division Europe

**European Product
Information Centre**
Freephone: 00800 27 27 5374
(from AT, BE, CH, CZ, DE, EE, ES,
FI, FR, IE, IT, PT, SE, SK, UK)
filtrationinfo@parker.com

www.parkerhfde.com

Applications:

- Propulsion system lube oil filter
- Heavy fuel oil safety filter
- Medium pressure hydraulic systems

Specification

Duplex filter:

One reservoir can be closed for service, vertical installation.

Connections:

Square flanges with port size 60 mm. Standard delivery includes blind counter flanges. Optionally available with SAE 2" -3000M flange adapters.

Maximum operating pressure:

40 bar

Seal material:

Fluoroelastomer

Operating temperature:

-20°C...+120°C with Fluoroelastomer seals,
-20°C...+160°C with metal mesh elements and Fluoroelastomer seals.

Housing material:

Cast iron (GJS)

Weight:

65 kg

Nominal flow rate (30 cSt):

350 l/min (21 m³/h)

Bypass valve:

Standard bypass opening pressure 2.0 bar, optional opening pressure 1.6 bar or blocked bypass

Indicator options:

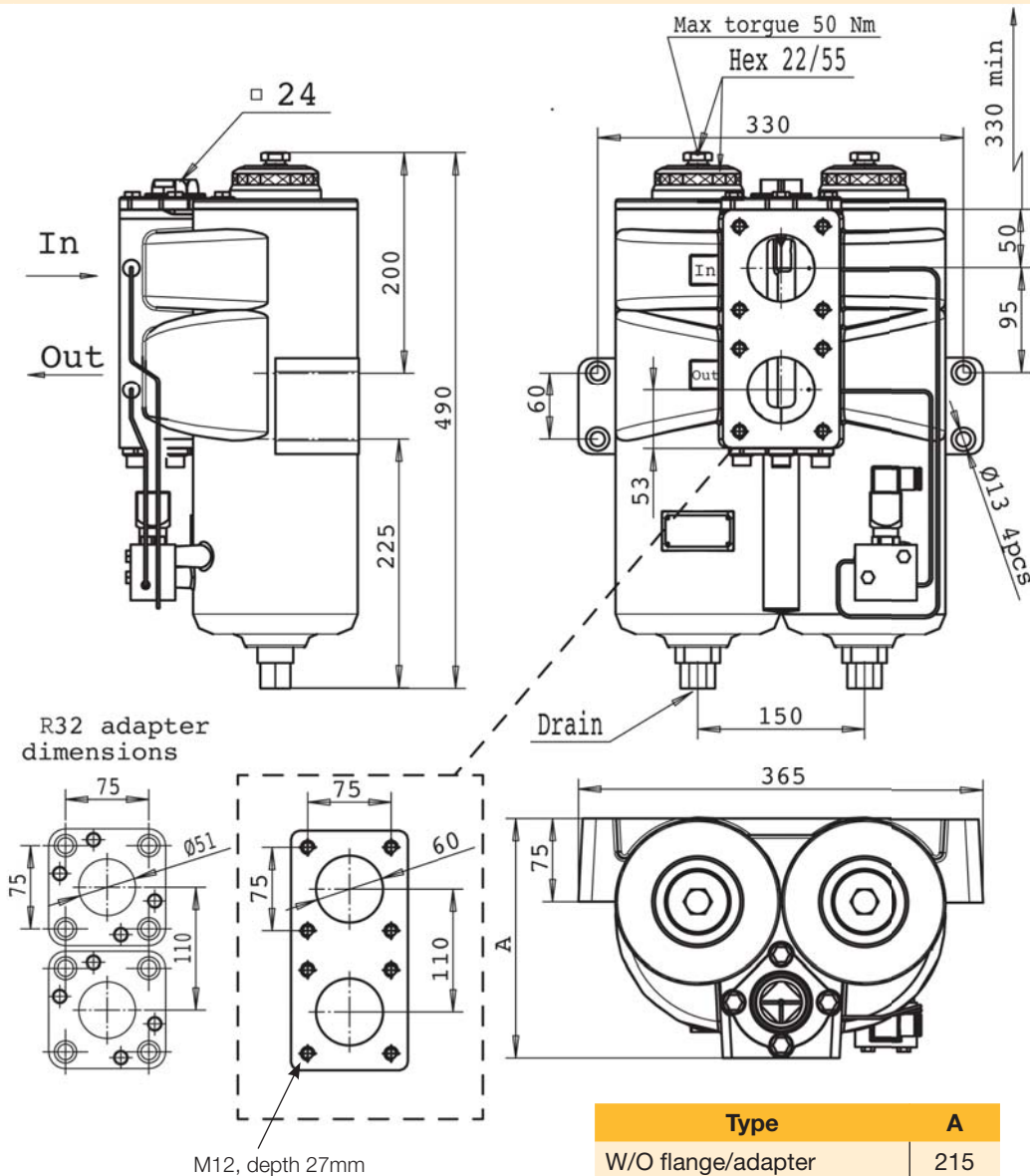
Visual, electrical or electronic indicator requires an indicator block. For details see indicator options table in product description page and catalogue section 4.

Filtration materials:

- Glassfibre Microglass III
- Cleanable metal mesh

Fluid compatibility:

Suitable for use with regular hydraulic and lubrication oils and fuel oils. Filters are delivered with documentation according PED 97/23/EC category II (required for heavy fuel oils). For other fluids consult Parker Filtration.



Type	A
W/O flange/adapter	215
With X60 flange	232
With R32 adapter	245

DF2089

Pressure Drop Curves

$$\Delta p_{\text{total}} = \Delta p_{\text{housing}} + \Delta p_{\text{element}}$$

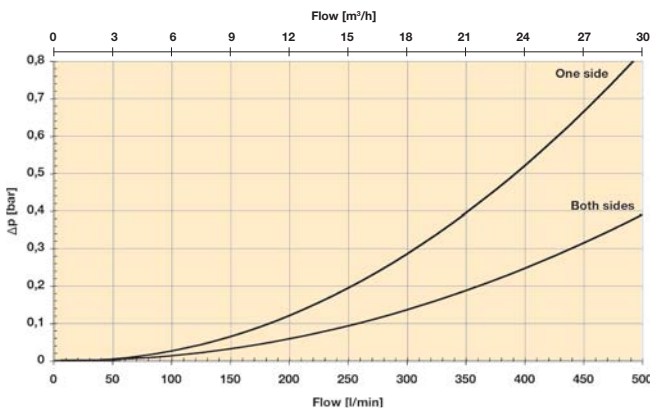
The recommended level of the initial pressure drop for this filter is maximum 0.5 bar.

Δp -curves are measured at 30 cSt.

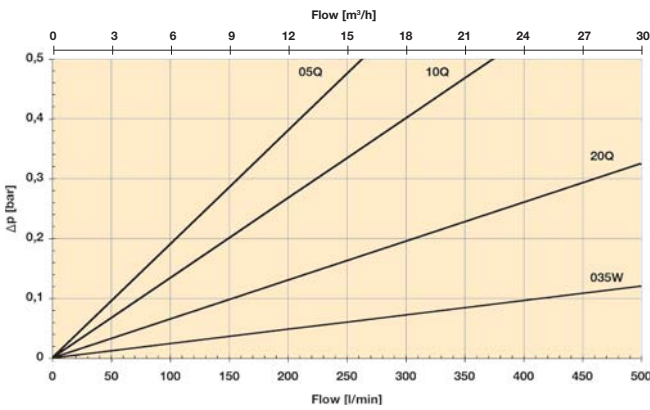
If the medium used has a viscosity different from 30 cSt, pressure drop over the element can be estimated as follows:

$$\Delta p_{\text{total}} = \Delta p_{\text{housing}} + \Delta p_{\text{element}} \times \frac{\text{working viscosity}}{30 \text{ cSt}}$$

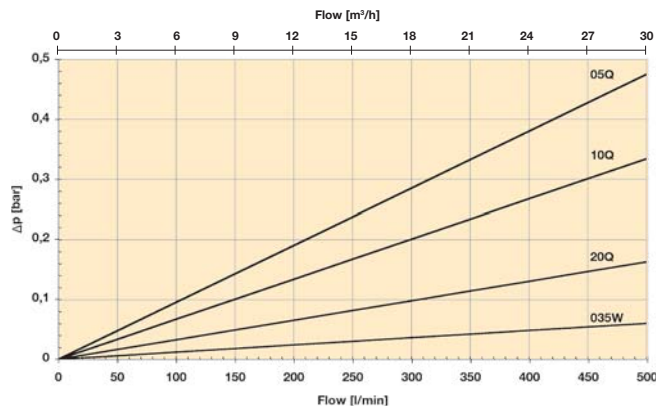
DF2089 housing



DF2089 elements/one side



DF2089 elements/both sides



Product Description for DF2089

Complete Filter:

Table 1

--

Table 2

--

Table 3

--

Table 4

--

Table 5

--

Table 6

--

Table 7

--

Table 8

--

Table 1

FILTER TYPE	
Model	CODE
Duplex filter	DF2089

Table 2

FILTER SIZE	
Element length	CODE
Length 1	1

Table 3

DEGREE OF FILTRATION	
Element type	CODE
Microglass III	
Glassfibre 5 µm	05Q
Glassfibre 10 µm	10Q
Glassfibre 20 µm	20Q
Other medias	
Cleanable metal mesh 35 µm	035W
Cleanable metal mesh 60 µm	060W

Table 4

SEAL TYPE	
Seal material	CODE
Fluoroelastomer	V

Table 5

INDICATORS	
Options	CODE
No indicator block	N
Indicator port plugged	P
Visual indicator	M3
Electrical indicator	T1
Electronic indicator (PNP/N.O.)	F1
Electronic indicator (NPN/N.O.)	F2

Table 6

BYPASS VALVE	
Bypass/indicator setting	CODE
1.6 bar/1.0 bar	F
2.0 bar/1.5 bar	H
No/No	X

Table 7

FILTER CONNECTIONS	
Port size	CODE
Square flange 60 mm	X60
Flange adapter SAE 2"-3000M	R32

Table 8

OPTIONS	
Options	CODE
With bypass, no magnets	1
No bypass, no magnets	2
With bypass and magnets	3
No bypass, with magnets	4

REPLACEMENT ELEMENTS WITH FLUOROELASTOMER SEALS	
Media code	Order code
Glassfibre	Microglass III
05Q	938364Q
10Q	938075Q
20Q	938005Q
Cleanable metal mesh	
035W	939184
060W	939185

SPARE PARTS	
Seal kit	CODE
Seal material	
Fluoroelastomer	916045077

Please note the bolded options reflect standard options with reduced lead-time.