

BGLS Series

Low Pressure Filters
Max. 2000 l/min. 10 bar



Heavy duty in-line filter solution

Upper housing aluminium and lower housing steel allows low weight combined to high capacity. Magnetic pre-filtration and nominal flow up to 2000 l/min.



Contact Information: Applications:

Parker Hannifin
Hydraulic Filter Division Europe

**European Product
Information Centre**
Freephone: 00800 27 27 5374
(from AT, BE, CH, CZ, DE, EE, ES,
FI, FR, IE, IT, PT, SE, SK, UK)
filtrationinfo@parker.com

www.parkerhfde.com

- Lubrication systems
- Wind turbines
- Hydraulic presses
- Large industrial gearboxes

Specification

Assembly:

In-line filter

Maximum operating pressure:

10 bar

Nominal flow rate (30 cSt):

2000 l/min (120 m³/h)

Connections:

Flanges SAE 3" 3000-M

Seal material:

Nitrile, optionally Fluoroelastomer

Operating temperature:

-40°C...+100°C with Nitrile seals, -20°C...+120°C with Fluoroelastomer seals. For other temperatures consult Parker Filtration.

Housing material:

Upper housing aluminium, lower housing steel

Weight:

BGLS 4-1000: 56 kg

BGLS 4-1500: 65 kg

BGLS 4-2000: 75 kg

Bypass setting:

Opening pressure standard 1.5 bar, optionally 0.8 bar, 2.0 bar or blocked bypass

Filtration materials:

- Ecoglass for LEIF® element with reusable metal element sleeve. *LEIF*® contributes to ISO14001.
- Glassfibre Microglass III
- Resin impregnated cellulose paper 10µm nominal
- Cleanable metal mesh

Magnetic pack:

Standard

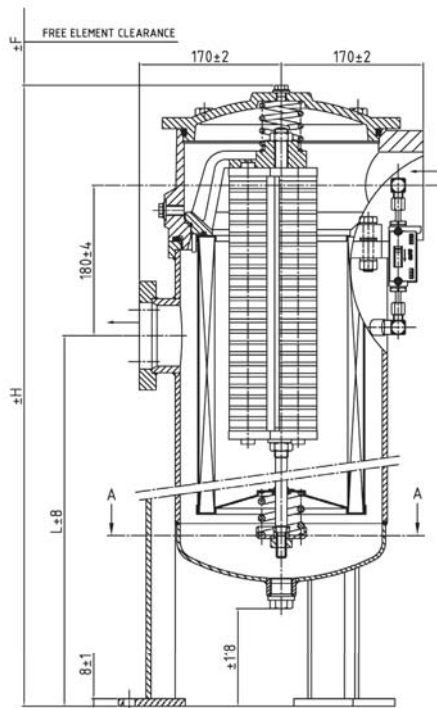
Differential pressure indicators:

Visual or Visual-electrical indicator, see page 16.

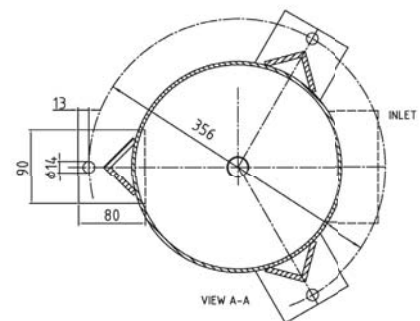
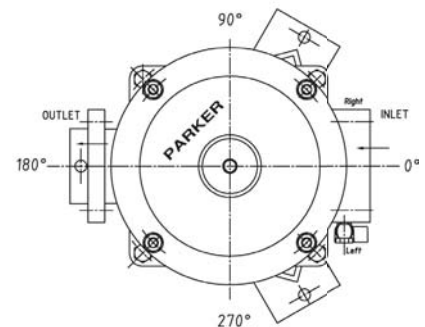
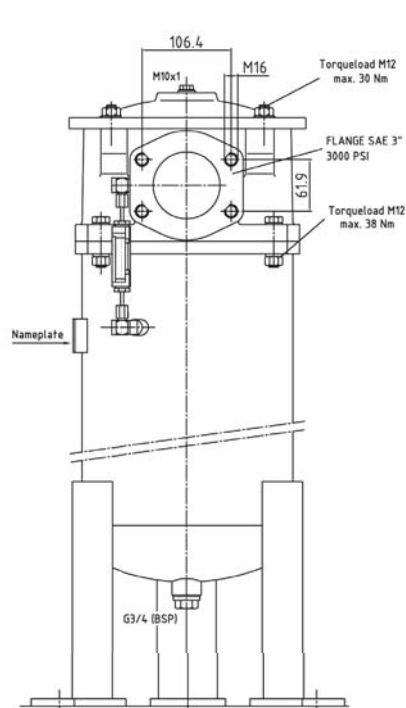
Setting 1.2 bar (for 2.0 bar and 1.5 bar bypass) or 0.7 bar (for 0.8 bar bypass).

Fluid compatibility:

Suitable for use with regular hydraulic and lubrication oils. For other fluids consult Parker Filtration.



Indicator details, see page 16.



Type	H	L	F
1000	975	635	735
1500	1255	915	1015
2000	1520	1180	1280

BGLS Series

Pressure Drop Curves

$$\Delta p_{\text{total}} = \Delta p_{\text{housing}} + \Delta p_{\text{element}}$$

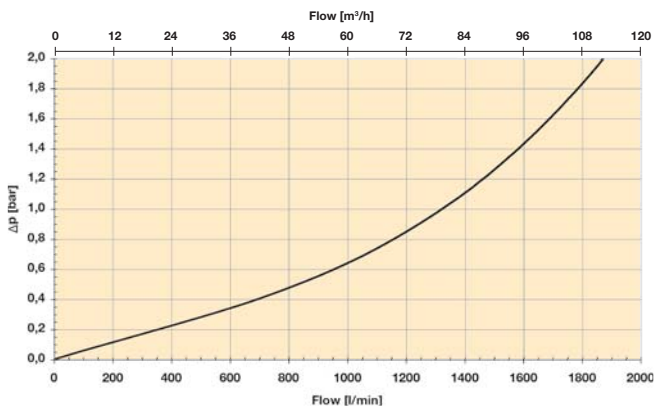
The recommended level of the initial pressure drop for this filter is maximum 0.5 bar.

Δp -curves are measured at 30 cSt.

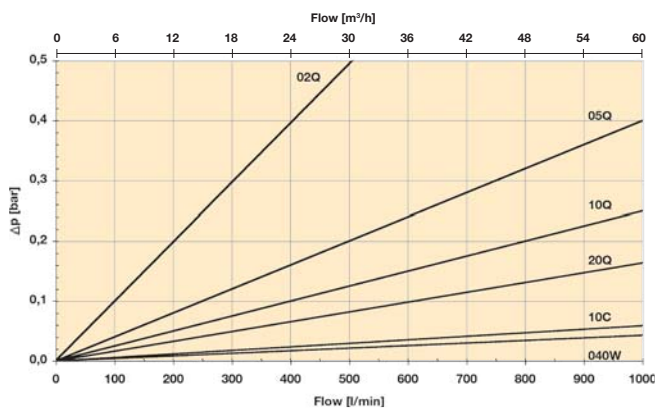
If the medium used has a viscosity different from 30 cSt, pressure drop over the element can be estimated as follows:

$$\Delta p_{\text{total}} = \Delta p_{\text{housing}} + \Delta p_{\text{element}} \times \frac{\text{working viscosity}}{30 \text{ cSt}}$$

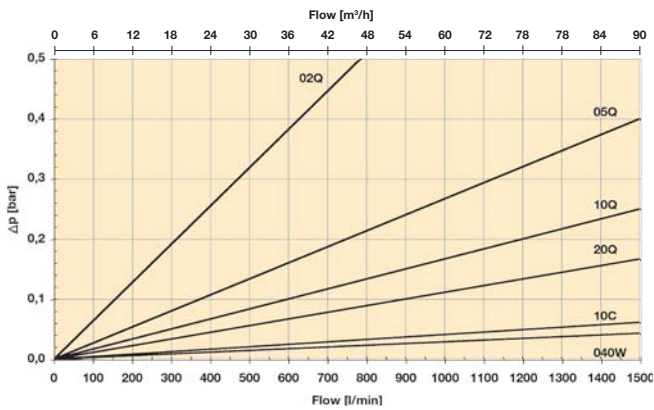
BGLS housing



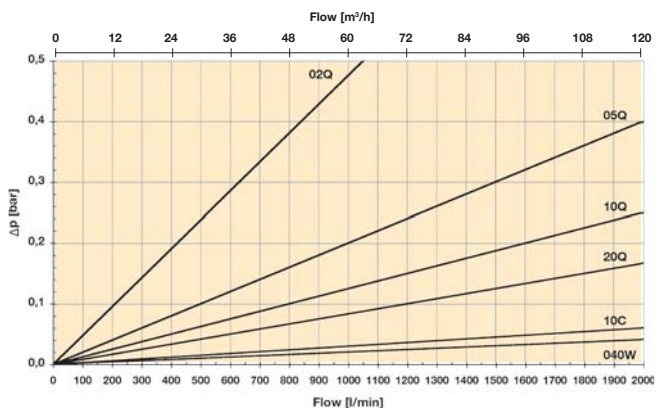
BGLS 4-1000 elements (Length 15)



BGLS 4-1500 elements (Length 16)



BGLS 4-2000 elements (Length 17)



CONVENTIONAL TYPE REPLACEMENT ELEMENTS WITH NITRILE SEALS

Element length	Housing size	Microglass III				Cellulose 10 μm (nom)	Cleanable metal mesh 40 μm
		02Q	05Q	10Q	20Q		
15	4-1000	937738Q	937767Q	937774Q	937803Q	937732	937809
16	4-1500	937737Q	937768Q	937773Q	937804Q	937733	937808
17	4-2000	937736Q	937769Q	937772Q	937805Q	937734	937807



Product Description for BGLS

Complete Filter:

Table 1

--

Table 2

--

Table 3

--

Table 4

--

Table 5

--

Table 6

--

Table 7

--

Table 8

--

Table 1

FILTER TYPE	
Model	CODE
Medium pressure filter, upper housing aluminium, lower housing steel	BGLS

Table 2

FILTER SIZE	
Housing size - element length	CODE
4-1000	15
4-1500	16
4-2000	17

Table 3

DEGREE OF FILTRATION	
Element type	CODE
Microglass III	
Glassfibre 2 µm	02Q
Glassfibre 5 µm	05Q
Glassfibre 10 µm	10Q
Glassfibre 20 µm	20Q
LEIF® elements (not available for length 17)	
Glassfibre 2 µm	02QL
Glassfibre 5 µm	05QL
Glassfibre 10 µm	10QL
Glassfibre 20 µm	20QL
Other medias	
Cellulose 10 µm (nom)	10C
Cleanable metal mesh 40 µm	040W

Table 4

SEAL TYPE	
Seal material	CODE
Nitrile	B
Fluoroelastomer	V

LEIF® REPLACEMENT ELEMENTS					
Element length	Housing size	Ecoglass III			
		02QL	05QL	10QL	20QL
15	4-1000	937836Q	937839Q	937862Q	937865Q
16	4-1500	937837Q	937838Q	937863Q	937864Q
17	4-2000	NA	NA	NA	NA

Table 5

INDICATORS	
Options	CODE
Visual indicator on right	D6
Visual indicator on left	D7
Visual-electrical indicator on right	E7
Visual-electrical indicator on left	E8
Plugged indicator ports on right	P

Table 6

BYPASS VALVE	
Bypass/indicator setting	CODE
0.8 bar/0.7 bar	B
1.5 bar/1.2 bar	E
2.0 bar/1.2 bar	H
No/No	X

Table 7

FILTER CONNECTIONS	
Port size/outlet direction	CODE
SAE flange 3"-3000M/front (0°)	R48F
SAE flange 3"-3000M/right (90°)	R48R
SAE flange 3"-3000M/back (180°)	R48B
SAE flange 3"-3000M/left (270°)	R48L

Table 8

OPTIONS	
Options	CODE
With bypass and magnets	1
No bypass, with magnets	2
With bypass, no magnets	5
No bypass, no magnets	6

SPARE PARTS	
Seal kit	CODE
Seal material	
Nitrile	2049010023

Please note the bolded options reflect standard options with reduced lead-time.